

# FGH20902

# FIAMM

FIAMM Sealed Power

## FGH series

Fiamm FGH20902, is a high rate battery specifically designed for UPS applications. Fiamm FG range of batteries ensure the correct battery is supplied to the appropriate application. Fiamm S.P.A. is a Global manufacturer of Lead Acid technology batteries and these products are supported by Fiamm's sales network with vast market knowledge & experience of Standby Lead Acid battery applications.

**12 Volt  
9 Ah**

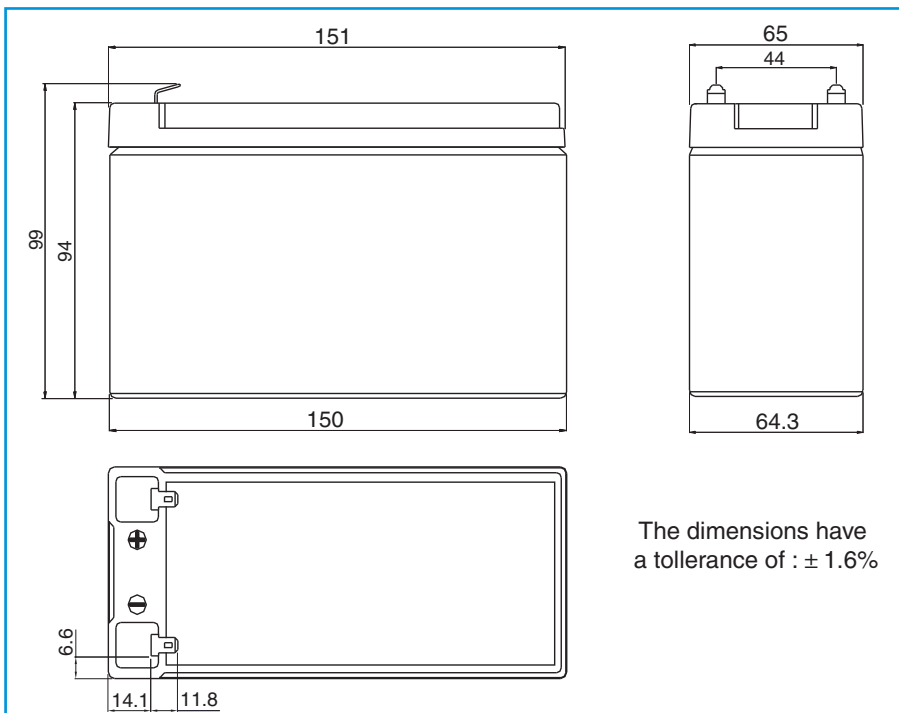


### Features

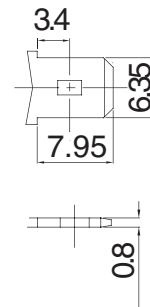
Nominal Voltage	12 Volt
Nominal Capacity	9.0 Ah at 20 hours rate to 1.75 Vpc at 25 °C
Float charging voltage	13.50 - 13.80 V/bloc at 25 °C
Boost charge voltage	14.40 - 15.00 V/bloc at 25 °C
Float voltage compensation	-18mV/°C
Maximum charging current	2.25 A
Case	ABS with HB flammability rate (according UL94)
Internal resistance	23.6 mΩ in full charged condition
Weight	2.80 kg
Dimensions	L x W x H (TH): 151 x 65 x 94 (99)
Operative temperature range	-20 °C to 50 °C

### Storage

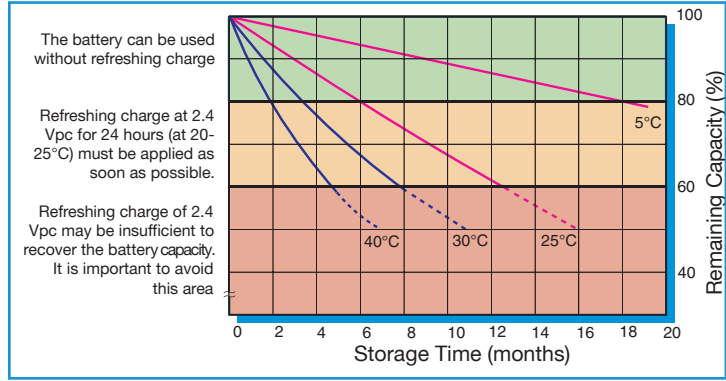
As batteries lose part of their capacity, during storage, due to self discharge. Fiamm Sealed Power recommends FG range of batteries can be stored for 6 months at an ambient temperature of 20 and 25 °C (see attached graph on reverse). Longer storage requires a recharge. This should be carried out in line with Fiamm Sealed Power recommended method; 2.4 V/cell for no longer than 24 hours at 20 °C



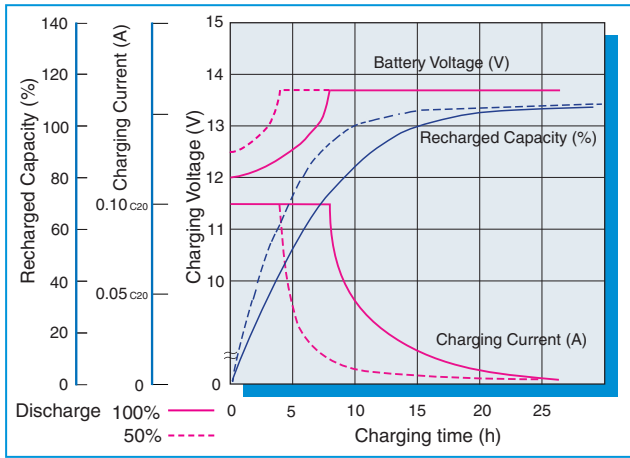
### Faston 6.3 mm



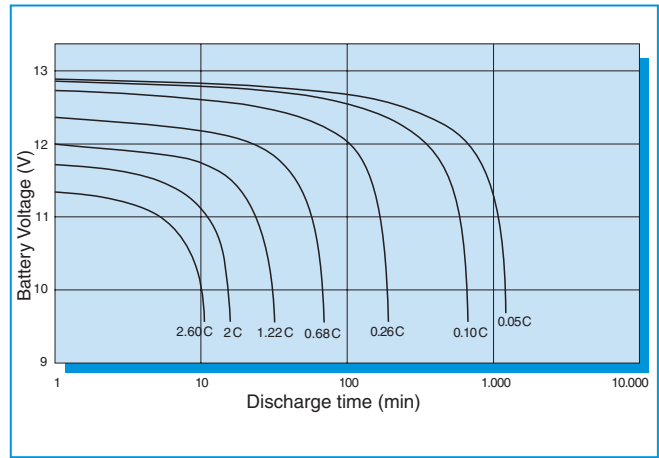
### Capacity loss during storage at various temperatures



Battery Voltage and Charge Time for Standby Use (at 25°C)



Discharge curves at different current / final voltage (at 25°C)



Constant Current discharge table (Amperes)

end voltage	5 min	10 min	15 min	20 min	30 min	45 min	1 hour	2 hour	3 hour	5 hour	10 hour	20 hour
09.60	35.0	24.3	17.8	14.1	10.3	7.37	5.82	3.32	2.37	1.52	0.85	0.47
09.90	34.6	23.9	17.6	14.0	10.2	7.35	5.81	3.30	2.35	1.51	0.84	0.46
10.02	34.1	23.4	17.5	13.9	10.2	7.32	5.79	3.29	2.34	1.50	0.84	0.46
10.20	33.1	22.9	17.2	13.7	10.1	7.27	5.76	3.26	2.31	1.49	0.83	0.46
10.50	31.1	21.9	16.6	13.3	9.84	7.17	5.69	3.21	2.27	1.47	0.82	0.45
10.80	29.4	20.7	15.8	13.0	9.64	6.84	5.40	3.02	2.14	1.40	0.79	0.44

Constant Power discharge table (Watts per bloc)

end voltage	5 min	10 min	15 min	20 min	30 min	45 min	1 hour	2 hour	3 hour	5 hour	10 hour	20 hour
09.60	351	253	188	152	112	82.0	65.5	37.8	27.2	17.6	9.82	5.43
09.90	347	250	187	151	112	81.9	65.5	37.8	27.1	17.6	9.81	5.43
10.02	342	245	186	150	111	81.7	65.4	37.7	27.0	17.5	9.78	5.42
10.20	333	239	183	148	111	81.3	65.1	37.5	26.7	17.4	9.75	5.41
10.50	314	229	177	145	109	80.6	64.5	37.1	26.5	17.2	9.67	5.36
10.80	299	218	170	142	107	77.2	61.6	35.0	25.1	16.4	9.38	5.26